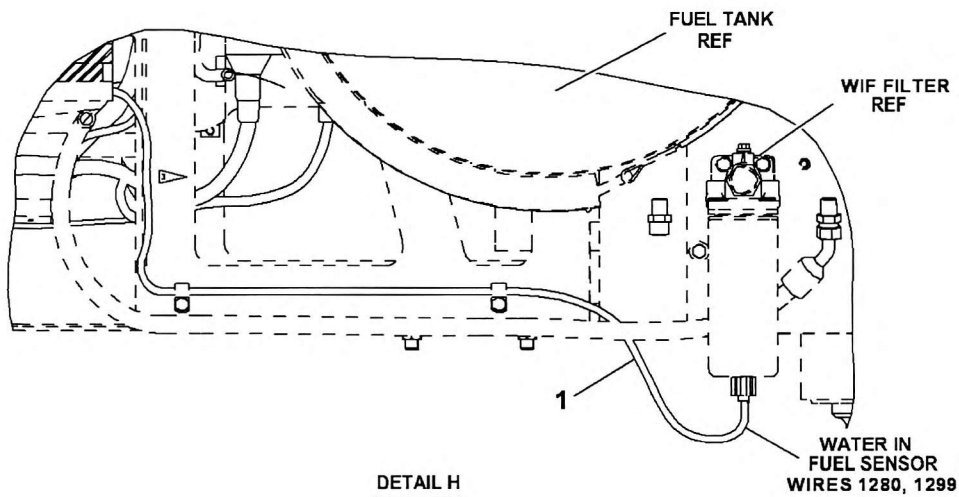
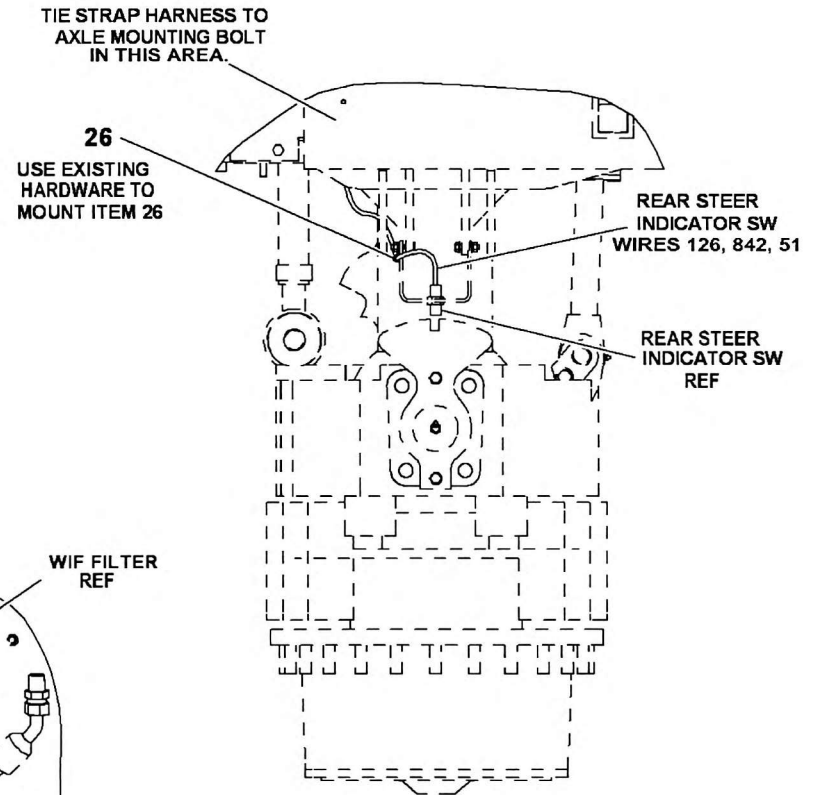


DETAIL K
HYD OIL COOLER SWITCHES
(VIEW LOOKING UP AT RETURN MANIFOLD)

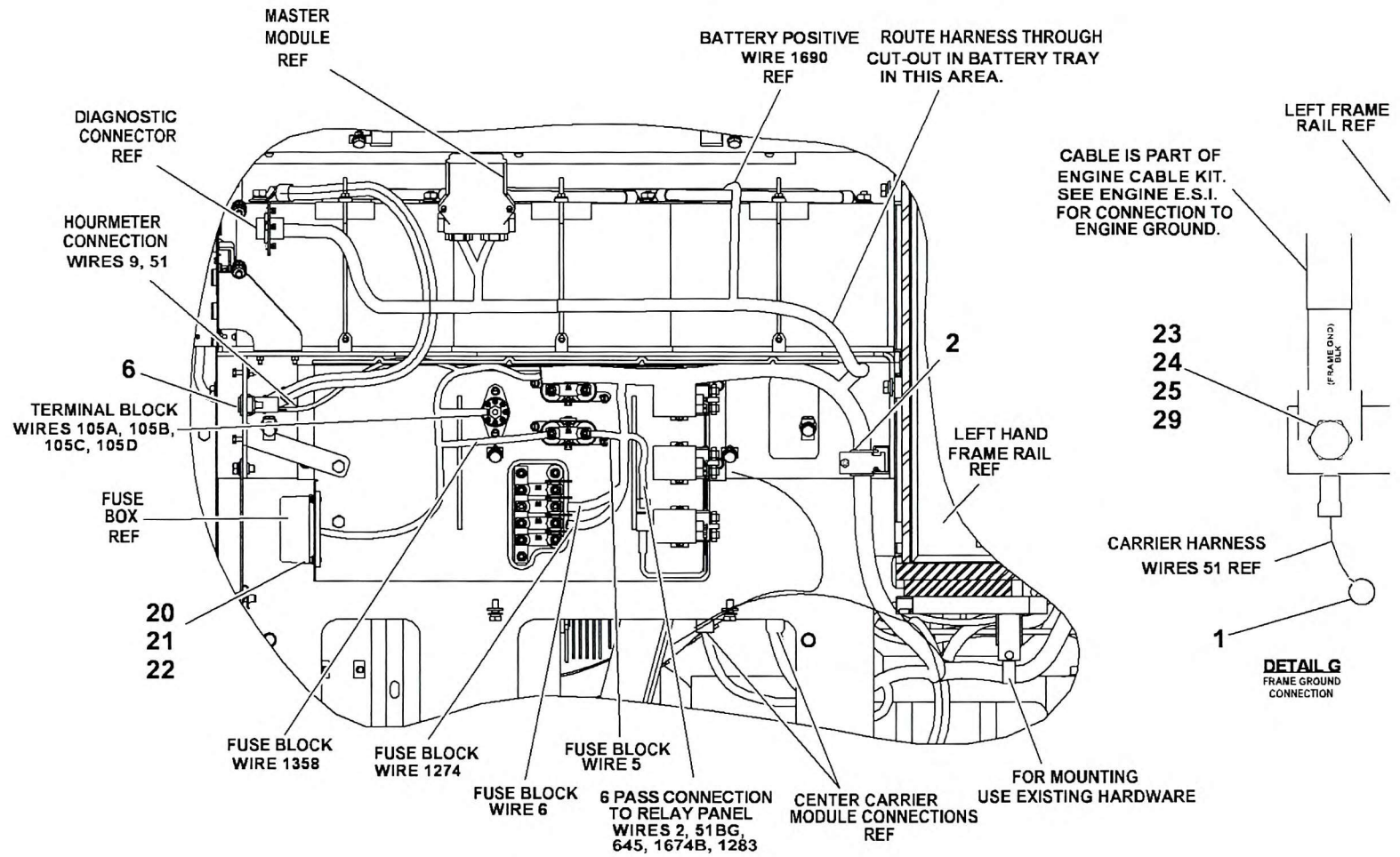


DETAIL H
WATER IN FUEL
SENSOR CONNECTION



DETAIL J
REAR STEER INDICATOR
(LEFT REAR WHEEL)
(AXLE LOCKOUT CYLINDER NOT SHOWN FOR CLARITY)

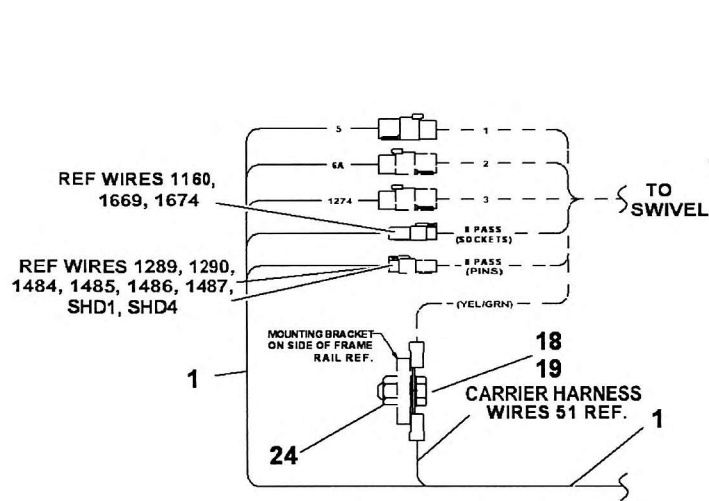
(SHEET 5 OF 6)



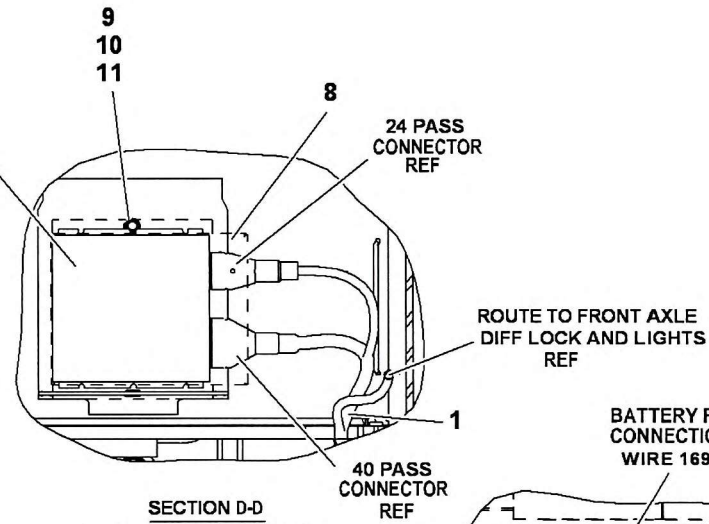
SECTION H-H

TERMINAL BLOCK, RELAY,
HOURMETER, AND FUSE BLOCK
CONNECTIONS
(PANEL WIRES NOT SHOWN FOR CLARITY)

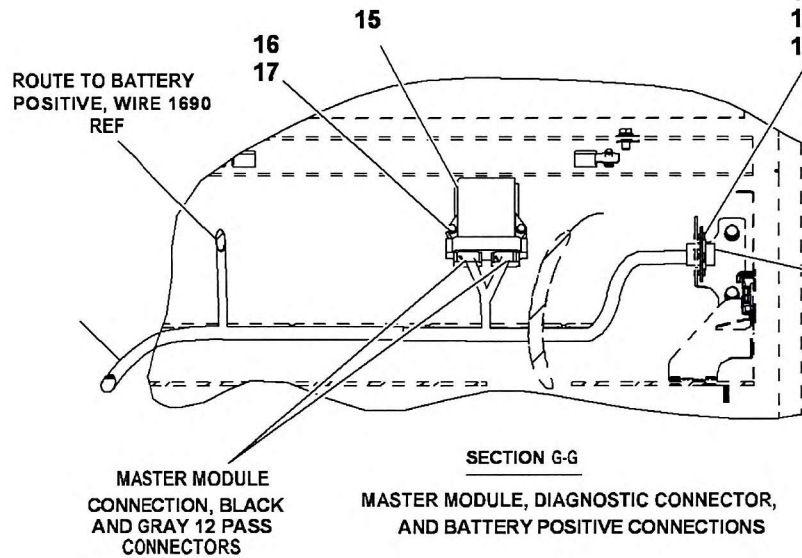
DETAIL G
FRAME GROUND
CONNECTION



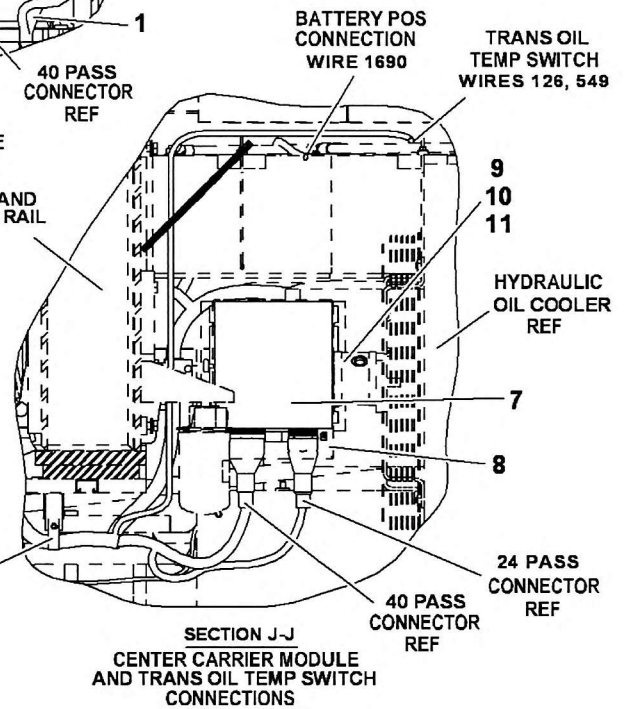
DETAIL F
SWIVEL HARNESS CONNECTION



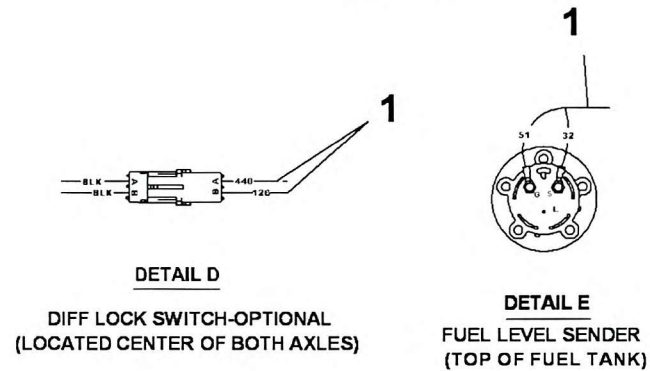
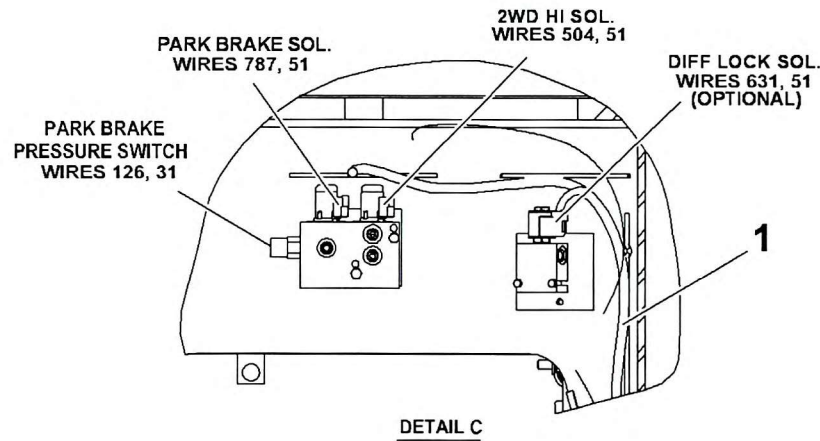
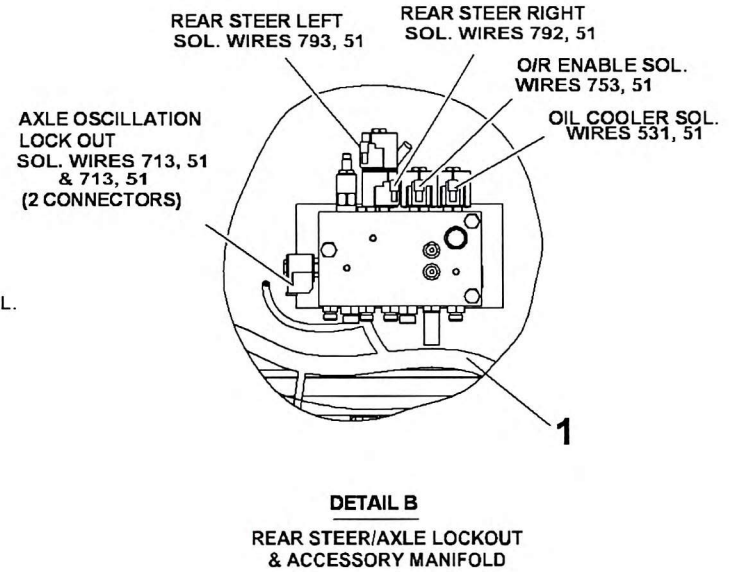
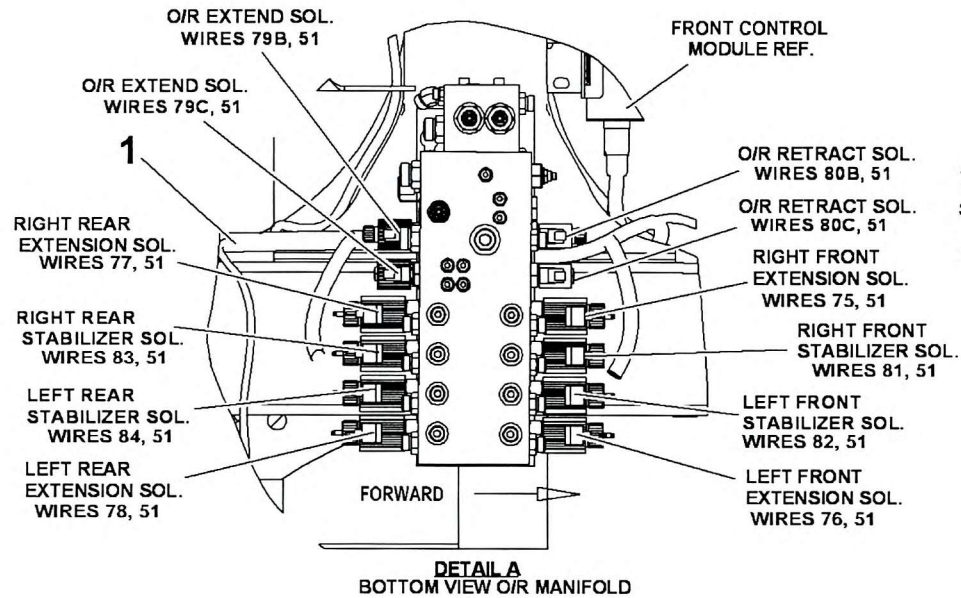
SECTION D-D
FRONT CONTROL MODULE CONNECTIONS

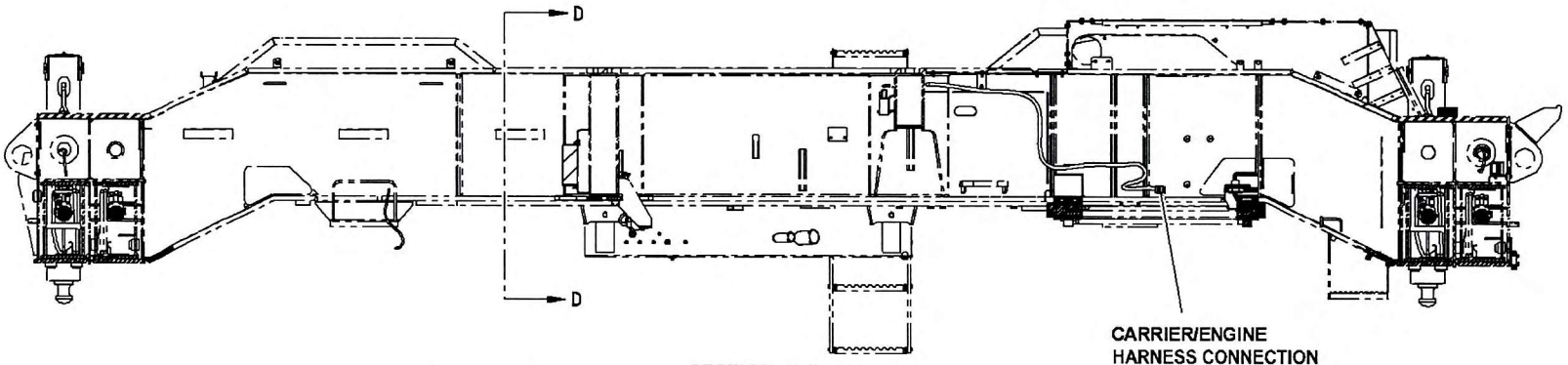


SECTION G-G



SECTION J-J
CENTER CARRIER MODULE AND TRANS OIL TEMP SWITCH CONNECTIONS





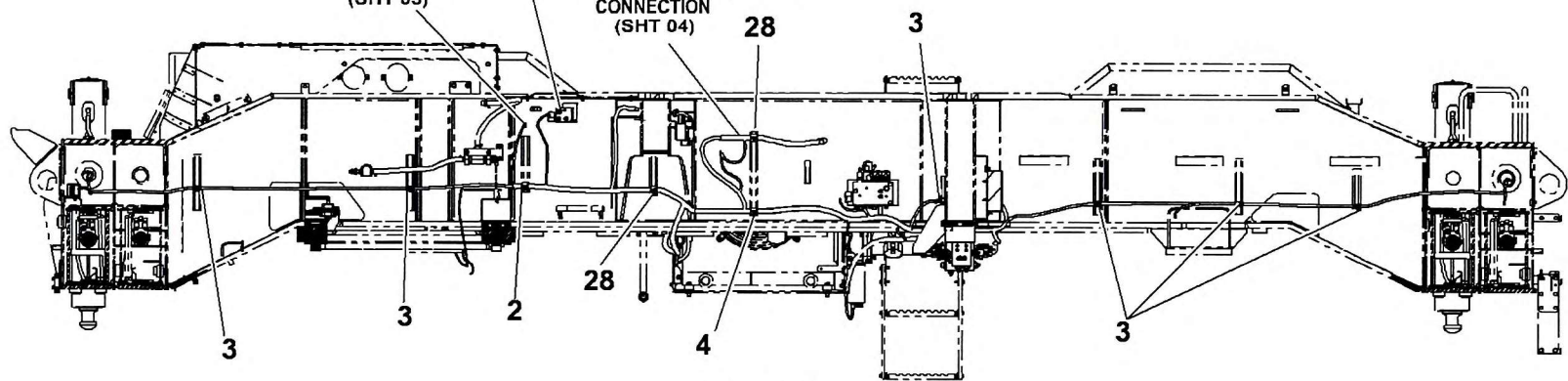
SECTION A-A
(AXLES NOT SHOWN FOR CLARITY)

CARRIER/ENGINE
HARNESS CONNECTION

PUMP LOAD
SENSE SOLENOID
WIRES 2, 51

SEE DETAIL G
FRAME GROUND
(SHT 05)

SEE DETAIL F
SWIVEL HARNESS
CONNECTION
(SHT 04)



SECTION B-B
(AXLES NOT SHOWN FOR CLARITY)

(SHEET 2 OF 6)

Page 485

80037284

